

TDK | 东京电子 ACM4520-142-2P **PDF**



深圳创唯电子有限公司

<http://www.tdk-dz.com>

深圳市创唯电子有限公司

电话：400-900-3095 0755-21000796

手机：13006692189

企业QQ：800152669

公司官网：**<http://www.szcwdz.com>**



Common Mode Filters

For power line

ACM series

ACM4520	[1808 inch]*
ACM7060	[2824 inch]
ACM9070	[3628 inch]
ACM1211	[4844 inch]
ACM1513	[6052 inch]

* Dimensions Code JIS[EIA]

REMINDERS FOR USING THESE PRODUCTS

Before using these products, be sure to request the delivery specifications.

SAFETY REMINDERS

Please pay sufficient attention to the warnings for safe designing when using these products.

REMINDERS

- The storage period is less than 12 months. Be sure to follow the storage conditions (Temperature: 5 to 40°C, Humidity: 10 to 75% RH or less).
If the storage period elapses, the soldering of the terminal electrodes may deteriorate.
- Do not use or store in locations where there are conditions such as gas corrosion (salt, acid, alkali, etc.).
- Before soldering, be sure to preheat components.
The preheating temperature should be set so that the temperature difference between the solder temperature and chip temperature does not exceed 150°C.
- Soldering corrections after mounting should be within the range of the conditions determined in the specifications.
If overheated, a short circuit, performance deterioration, or lifespan shortening may occur.
- When embedding a printed circuit board where a chip is mounted to a set, be sure that residual stress is not given to the chip due to the overall distortion of the printed circuit board and partial distortion such as at screw tightening portions.
- Self heating (temperature increase) occurs when the power is turned ON, so the tolerance should be sufficient for the set thermal design.
- Carefully lay out the coil for the circuit board design of the non-magnetic shield type.
A malfunction may occur due to magnetic interference.
- Use a wrist band to discharge static electricity in your body through the grounding wire.
- Do not expose the products to magnets or magnetic fields.
- Do not use for a purpose outside of the contents regulated in the delivery specifications.
- The products listed on this catalog are intended for use in general electronic equipment (AV equipment, telecommunications equipment, home appliances, amusement equipment, computer equipment, personal equipment, office equipment, measurement equipment, industrial robots) under a normal operation and use condition.
The products are not designed or warranted to meet the requirements of the applications listed below, whose performance and/or quality require a more stringent level of safety or reliability, or whose failure, malfunction or trouble could cause serious damage to society, person or property.
If you intend to use the products in the applications listed below or if you have special requirements exceeding the range or conditions set forth in the each catalog, please contact us.

(1) Aerospace/Aviation equipment
 (2) Transportation equipment (cars, electric trains, ships, etc.)
 (3) Medical equipment
 (4) Power-generation control equipment
 (5) Atomic energy-related equipment
 (6) Seabed equipment
 (7) Transportation control equipment

(8) Public information-processing equipment
 (9) Military equipment
 (10) Electric heating apparatus, burning equipment
 (11) Disaster prevention/crime prevention equipment
 (12) Safety equipment
 (13) Other applications that are not considered general-purpose applications

When designing your equipment even for general-purpose applications, you are kindly requested to take into consideration securing protection circuit/device or providing backup circuits in your equipment.

Common Mode Filters

For power line

Product compatible with RoHS directive

Halogen-free

Compatible with lead-free solders

Overview of the ACM Series

FEATURES

- Chip common mode filter for large current applications.

For each series, there is excellent common mode impedance and noise suppression in a compact case.

ACM4520

- Low profile and small size makes it optimal for surface mounting.

ACM7060, 9070, 1211, 1513

- Compatible with high-density portable devices, which are always being made smaller and lighter, because the height has been reduced.

APPLICATION

ACM4520

- Power line noise countermeasure for electronic equipment (DVCs, DVD cams, DSCs, etc.).

ACM7060, 9070, 1211, 1513

- Power line noise countermeasure for various electronic equipment.
- Noise countermeasure for adapter lines and battery lines or larger electronic equipment such as note book PCs and word processors.

PART NUMBER CONSTRUCTION

ACM	4520	-	901	-	2P	-	T	-	□□□
Series name	LxWxH Dimensions (mm)		Impedance (Ω) at 100MHz		Number of lines		Packaging style		Internal code
	4520	4.5×2.0×2.0	901	900	2P	2 lines	T	ø180mm reel	
	7060	7.0×6.0×3.5	142	1400			TL	ø330mm reel	
	9070	9.0×7.0×4.5							
	1211	12.0×11.0*6.0							
	1513	15.0×13.0×6.0							

OPERATING TEMPERATURE RANGE, PACKAGE QUANTITY, PRODUCT WEIGHT

Type	Temperature range		Reel diameter (mm)	Package quantity (pieces/reel)	Individual weight (g)
	Operating temperature	Storage temperature*			
	(°C)	(°C)			
ACM4520	-40 to +85	-40 to +85	ø180	800	0.15
			ø330	2,500	
ACM7060	-40 to +85	-40 to +85	ø330	1,500	0.35
ACM9070	-40 to +85	-40 to +85	ø330	800	0.82
ACM1211	-40 to +85	-40 to +85	ø330	500	2.2
ACM1513	-40 to +85	-40 to +85	ø330	500	3.15

* The Storage temperature range is for after the circuit board is mounted.

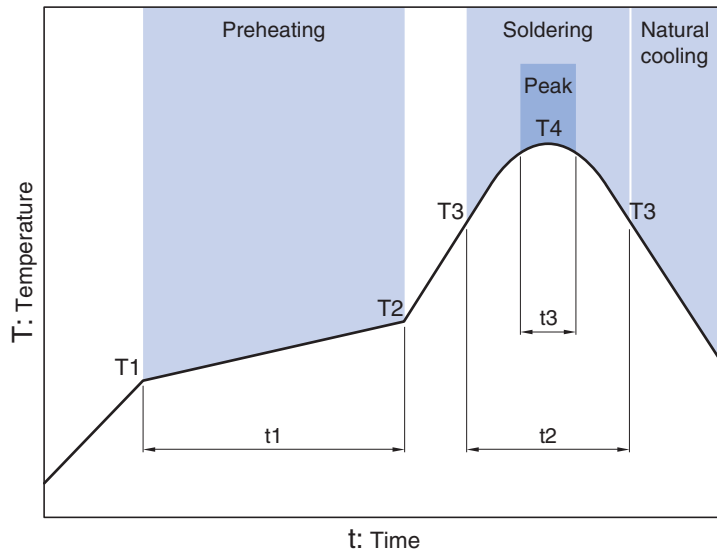
○ RoHS Directive Compliant Product: See the following for more details related to RoHS Directive compliant products. <http://www.tdk.co.jp/rohs/>

○ Halogen-free: Indicates that Cl content is less than 900ppm, Br content is less than 900ppm, and that the total Cl and Br content is less than 1500ppm.

• All specifications are subject to change without notice.

Overview of the ACM Series

RECOMMENDED REFLOW PROFILE



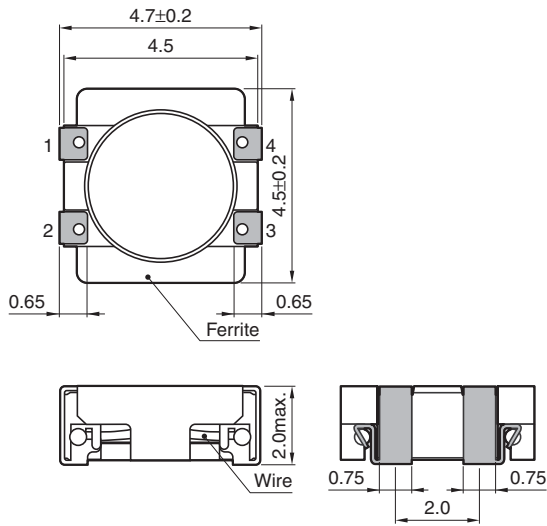
Preheating			Soldering		Peak	
Temp.	Temp.	Time	Temp.	Time	Temp.	Time
T1	T2	t1	T3	t2	T4	t3
150°C	180°C	60 to 120s	230°C	10 to 30s	245°C	5s

ACM series

ACM4520 Type

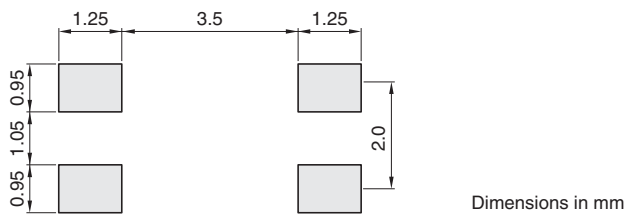


SHAPE & DIMENSIONS



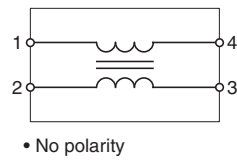
Dimensions in mm

RECOMMENDED LAND PATTERN



Dimensions in mm

CIRCUIT DIAGRAM



• All specifications are subject to change without notice.

ACM series **ACM4520 Type**

■ ELECTRICAL CHARACTERISTICS

□ CHARACTERISTICS SPECIFICATION TABLE

Common mode impedance (Ω) [at 100MHz]		DC resistance (Ω)max. [1 line]	Rated current (A)max.		Rated voltage (V)max.	Insulation resistance (M Ω)min.	Part No.*
min.	typ.		60°C	85°C			
180	230	0.05	3.0	2.6	50	10	ACM4520-231-2P- Δ -□□□
300	420	0.055	2.8	2.4	50	10	ACM4520-421-2P- Δ -□□□
650	900	0.06	2.3	2.0	50	10	ACM4520-901-2P- Δ -□□□
1000	1400	0.08	1.7	1.5	50	10	ACM4520-142-2P- Δ -□□□

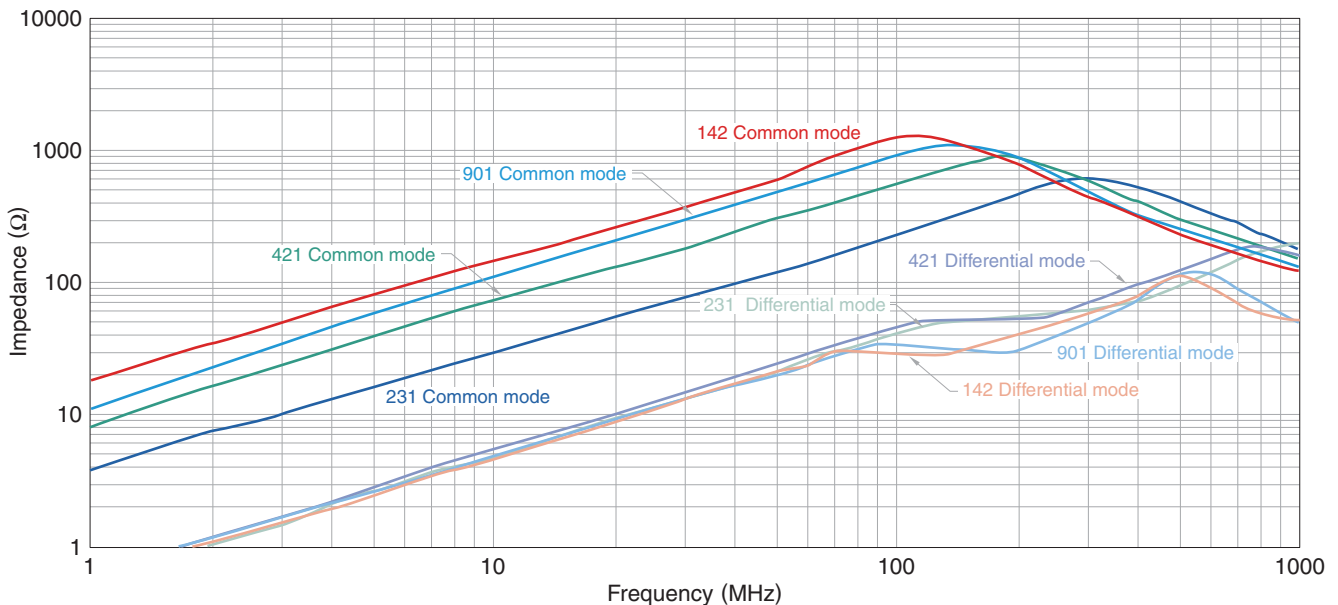
* Δ : Includes packaging style indication (T: ϕ 180mm reel, TL: ϕ 330mm reel).

○ Measurement equipment

Measurement item	Product No.	Manufacturer
Common mode impedance	4991A	Agilent Technologies
DC resistance	4338A	Agilent Technologies
Insulation resistance	4339A	Agilent Technologies

* Equivalent measurement equipment may be used.

□ IMPEDANCE VS. FREQUENCY CHARACTERISTICS



○ Measurement equipment

Product No.	Manufacturer
4991A	Agilent Technologies

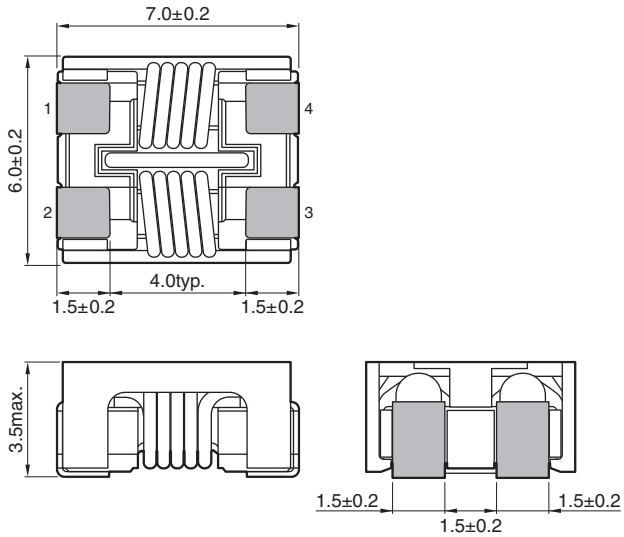
* Equivalent measurement equipment may be used.

ACM series

ACM7060 Type

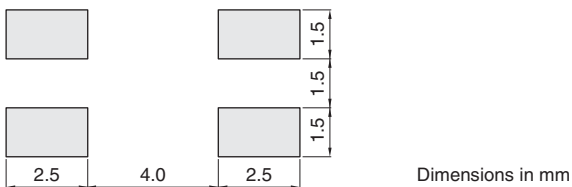


SHAPE & DIMENSIONS



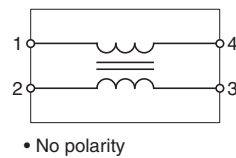
Dimensions in mm

RECOMMENDED LAND PATTERN



Dimensions in mm

CIRCUIT DIAGRAM



• No polarity

ACM series **ACM7060 Type**

■ ELECTRICAL CHARACTERISTICS

□ CHARACTERISTICS SPECIFICATION TABLE

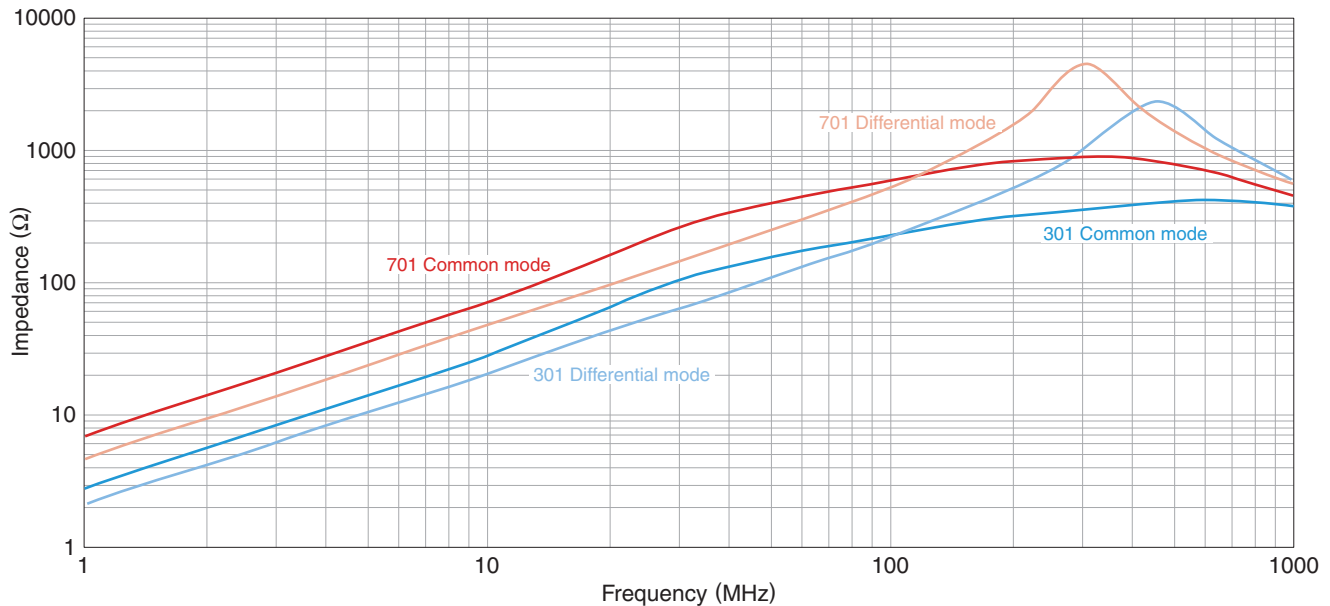
Common mode impedance (Ω) [100MHz]		DC resistance ($m\Omega$)max. [1 line]	Rated current (A)max.	Insulation resistance ($M\Omega$)min.	Rated voltage (V)max.	Part No.
min.	typ.					
225	300	10	5	10	80	ACM7060-301-2PL-TL01
500	700	15	4	10	80	ACM7060-701-2PL-TL01

○ Measurement equipment

Measurement item	Product No.	Manufacturer
Common mode impedance	4991A	Agilent Technologies
DC resistance	4338A	Agilent Technologies
Insulation resistance	4339A	Agilent Technologies

* Equivalent measurement equipment may be used.

□ IMPEDANCE VS. FREQUENCY CHARACTERISTICS



○ Measurement equipment

Product No.	Manufacturer
4991A	Agilent Technologies

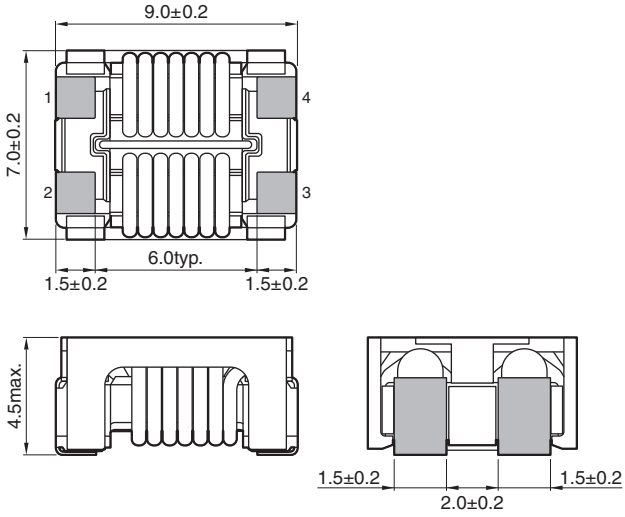
* Equivalent measurement equipment may be used.

ACM series

ACM9070 Type

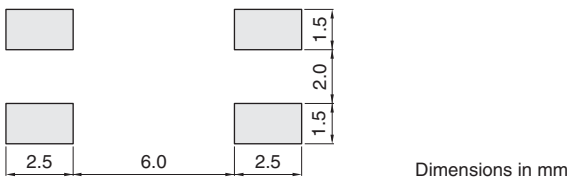


SHAPE & DIMENSIONS



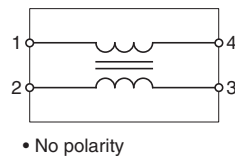
Dimensions in mm

RECOMMENDED LAND PATTERN



Dimensions in mm

CIRCUIT DIAGRAM



• No polarity

• All specifications are subject to change without notice.

ACM series **ACM9070 Type**

■ ELECTRICAL CHARACTERISTICS

□ CHARACTERISTICS SPECIFICATION TABLE

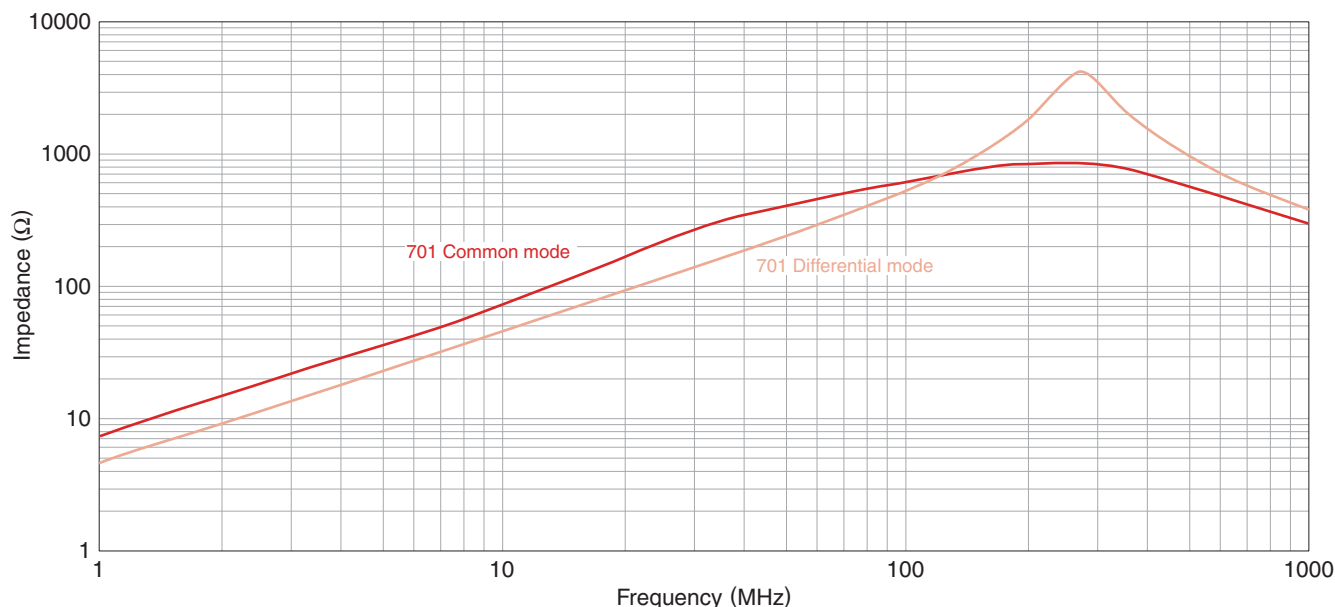
Common mode impedance (Ω) [100MHz]		DC resistance (mΩ)max. [1 line]	Rated current (A)max.	Insulation resistance (MΩ)min.	Rated voltage (V)max.	Part No.
min.	typ.					
500	700	10	5	10	80	ACM9070-701-2PL-TL01

○ Measurement equipment

Measurement item	Product No.	Manufacturer
Common mode impedance	4991A	Agilent Technologies
DC resistance	4338A	Agilent Technologies
Insulation resistance	4339A	Agilent Technologies

* Equivalent measurement equipment may be used.

□ IMPEDANCE VS. FREQUENCY CHARACTERISTICS



○ Measurement equipment

Product No.	Manufacturer
4991A	Agilent Technologies

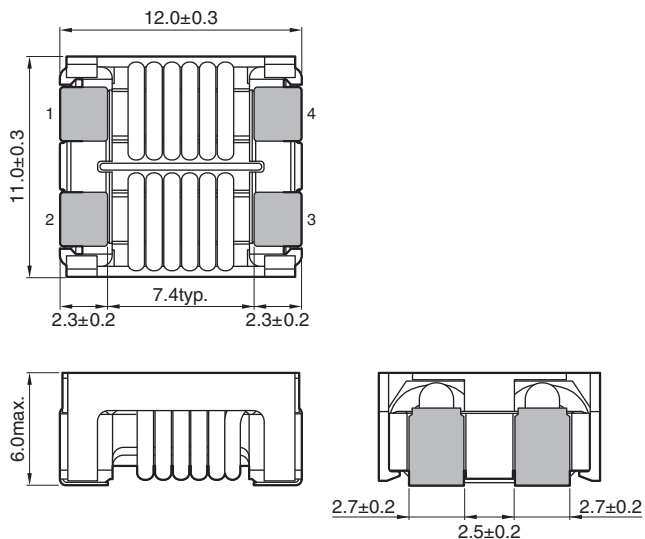
* Equivalent measurement equipment may be used.

ACM series

ACM1211 Type

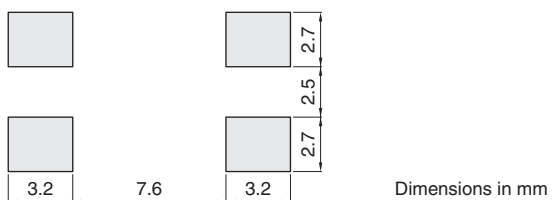


SHAPE & DIMENSIONS



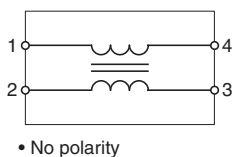
Dimensions in mm

RECOMMENDED LAND PATTERN



Dimensions in mm

CIRCUIT DIAGRAM



• No polarity

ACM series **ACM1211 Type**

■ ELECTRICAL CHARACTERISTICS

□ CHARACTERISTICS SPECIFICATION TABLE

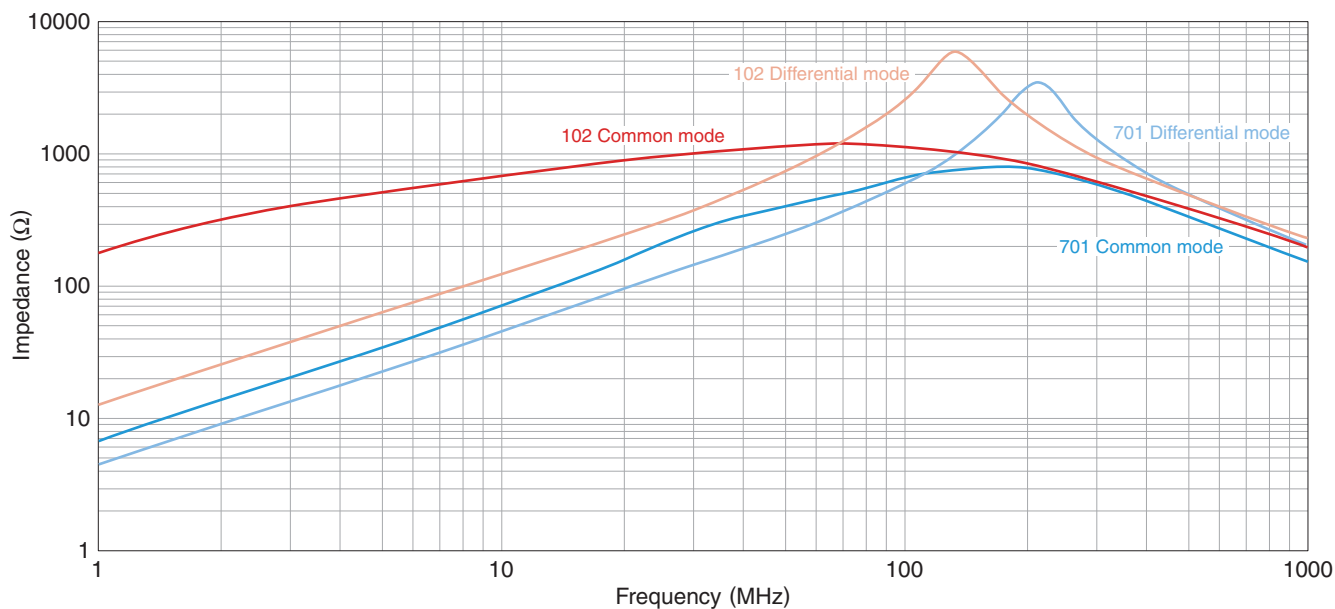
Common mode impedance (Ω) [100MHz]		DC resistance (mΩ)max. [1 line]	Rated current (A)max.	Insulation resistance (MΩ)min.	Rated voltage (V)max.	Part No.
min.	typ.					
500	700	6	8	10	80	ACM1211-701-2PL-TL01
750	1000	14	6	10	80	ACM1211-102-2PL-TL01

○ Measurement equipment

Measurement item	Product No.	Manufacturer
Common mode impedance	4991A	Agilent Technologies
DC resistance	4338A	Agilent Technologies
Insulation resistance	4339A	Agilent Technologies

* Equivalent measurement equipment may be used.

□ IMPEDANCE VS. FREQUENCY CHARACTERISTICS



○ Measurement equipment

Product No.	Manufacturer
4991A	Agilent Technologies

* Equivalent measurement equipment may be used.

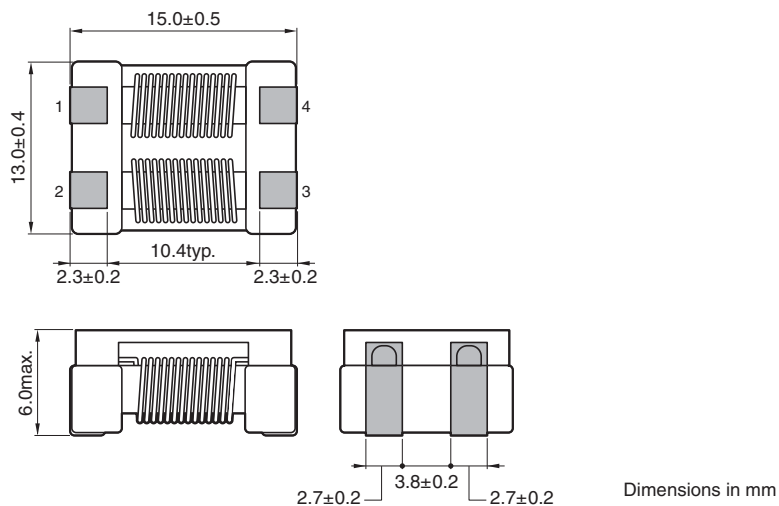
• All specifications are subject to change without notice.

ACM series

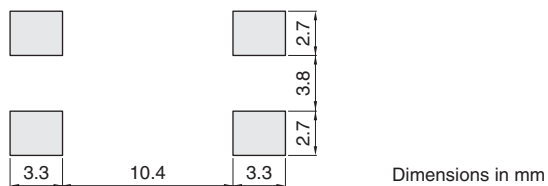
ACM1513 Type



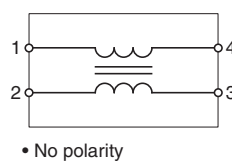
SHAPE & DIMENSIONS



RECOMMENDED LAND PATTERN



CIRCUIT DIAGRAM



• All specifications are subject to change without notice.

ACM series **ACM1513 Type**

■ ELECTRICAL CHARACTERISTICS

□ CHARACTERISTICS SPECIFICATION TABLE

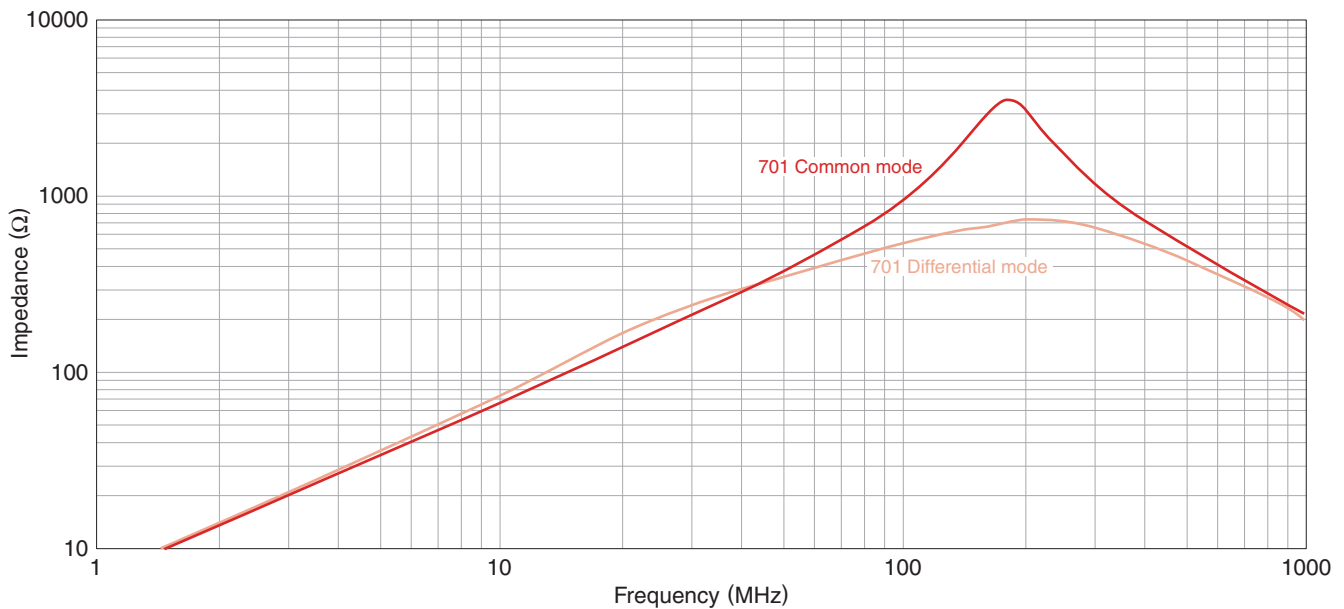
Common mode impedance (Ω) [100MHz]		DC resistance ($m\Omega$)max. [1 line]	Rated current (A)max.	Insulation resistance ($M\Omega$)min.	Rated voltage (V)max.	Part No.
min.	typ.					
450	550	4	10	10	50	ACM1513-551-2PL-TLHF

○ Measurement equipment

Measurement item	Product No.	Manufacturer
Common mode impedance	4991A	Agilent Technologies
DC resistance	4338A	Agilent Technologies
Insulation resistance	4339A	Agilent Technologies

* Equivalent measurement equipment may be used.

□ IMPEDANCE VS. FREQUENCY CHARACTERISTICS



○ Measurement equipment

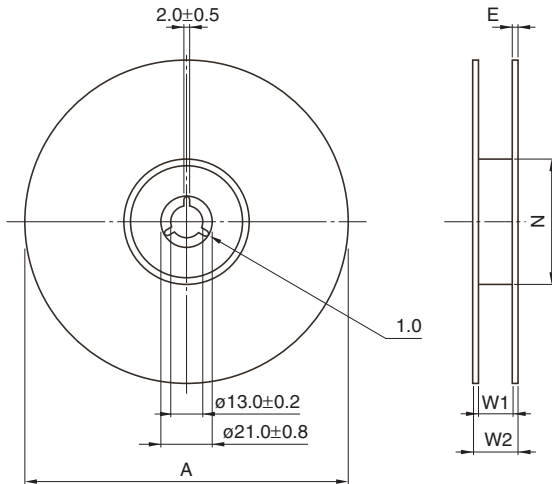
Product No.	Manufacturer
4991A	Agilent Technologies

* Equivalent measurement equipment may be used.

ACM series

Packaging style

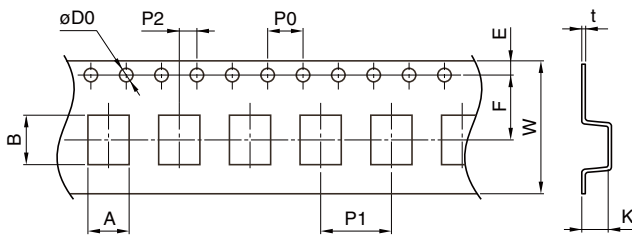
REEL DIMENSIONS



Dimensions in mm

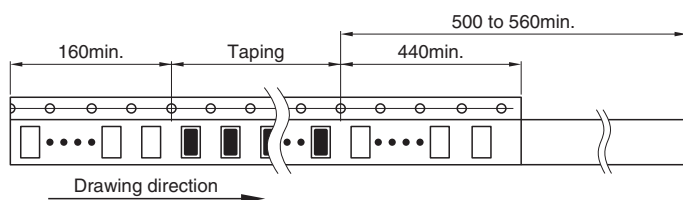
Type	A	W1	W2	N	E
ACM4520	$\phi 330 \pm 2$	13.5 ± 0.5	17.5 ± 1	100 ± 1	2 typ.
	$\phi 180 \pm 3$	13 ± 0.3	17 ± 1.4	$60 + 1 / - 0$	2 typ.
ACM7060	$\phi 330 \pm 2$	$16.4 + 2 / - 0$	20.4 typ.	100 ± 1	2 typ.
ACM9070	$\phi 330 \pm 2$	$16.4 + 2 / - 0$	20.4 typ.	100 ± 1	2 typ.
ACM1211	$\phi 330 \pm 2$	$24.4 + 2 / - 0$	28.4 typ.	100 ± 1	2 typ.
ACM1513	$\phi 330 \pm 2$	$24.4 + 2 / - 0$	28.4 typ.	100 ± 1	2 typ.

TAPE DIMENSIONS



Dimensions in mm

Type	A	B	$\phi D0$	E	F	P0	P1	P2	W	K	t
ACM4520	4.75 ± 0.1	5.05 ± 0.1	$1.55 + 0.1 / 0$	1.75 ± 0.1	5.5 ± 0.05	4.0 ± 0.1	8.0 ± 0.1	2.0 ± 0.05	12.0 ± 0.2	2.05 ± 0.05	0.3 ± 0.1
ACM7060	6.6 ± 0.1	7.6 ± 0.1	$1.5 + 0.1 / 0$	1.75 ± 0.1	7.5 ± 0.1	4.0 ± 0.1	8.0 ± 0.1	2.0 ± 0.1	16.0 ± 0.3	3.6 ± 0.1	0.4 ± 0.05
ACM9070	7.6 ± 0.1	9.6 ± 0.1	$1.5 + 0.1 / 0$	1.75 ± 0.1	7.5 ± 0.1	4.0 ± 0.1	12.0 ± 0.1	2.0 ± 0.1	16.0 ± 0.3	4.6 ± 0.1	0.4 ± 0.05
ACM1211	11.5 ± 0.1	12.5 ± 0.1	$1.5 + 0.1 / 0$	1.75 ± 0.1	11.5 ± 0.1	4.0 ± 0.1	16.0 ± 0.1	2.0 ± 0.1	24.0 ± 0.3	6.4 ± 0.1	0.5 ± 0.05
ACM1513	13.4 ± 0.1	15.5 ± 0.1	$1.5 + 0.1 / 0$	1.75 ± 0.1	11.5 ± 0.1	4.0 ± 0.1	16.0 ± 0.1	2.0 ± 0.1	$24.0 + 0.3 / - 0.1$	7.3 ± 0.1	0.4 ± 0.05



Dimensions in mm

• All specifications are subject to change without notice.